

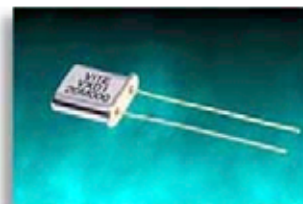


VECTRON
INTERNATIONAL

A **DOVER** COMPANY

VECTRON INTERNATIONAL

VXD1 UM-1



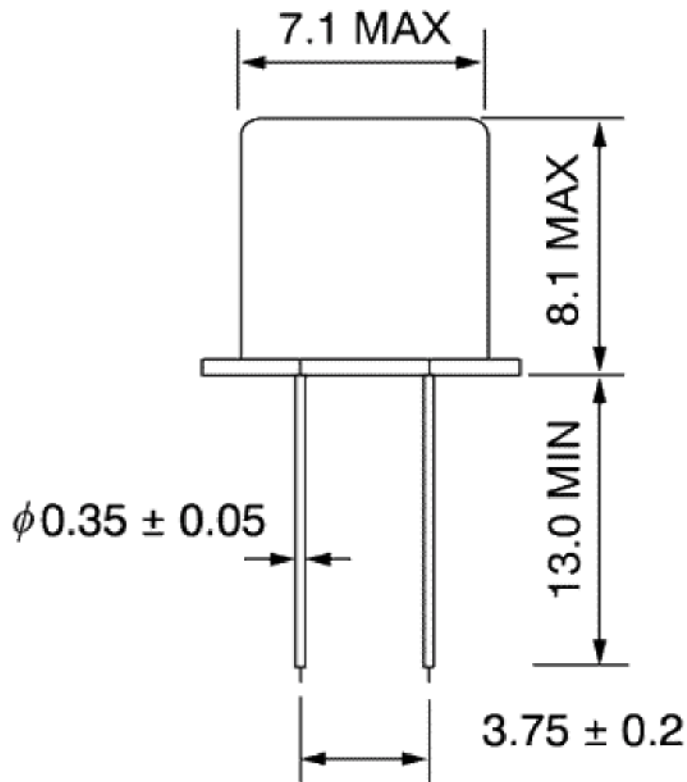
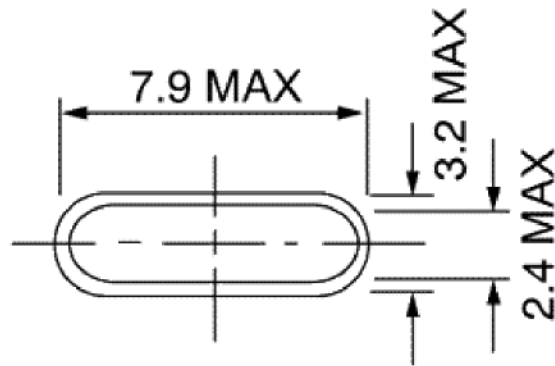
Package Options	D1 = UM-1
Frequency Range	7.0 MHz to 200.0 MHz
Standard Frequencies	See Standard Frequency Table
Mode	1 = Fundamental (7 to 50 MHz) 3 = 3 rd Overtone (30 to 120 MHz) 5 = 5 th Overtone (80 to 200 MHz)
Stability Options	A = ±100 PPM -20°C to +70°C B = ±50 PPM -20°C to +70°C C = ±100 PPM -40°C to +85°C D = ±50 PPM -40°C to +85°C E = ±25 PPM -20°C to +70°C G = ±10 PPM -20°C to +70°C
Load Capacitance	0 = Series Resonant 1 =16pF 2 =20pF 3 =32pF 4 =18pF 5 =10pF 6 =30pF
STD Calibration Tolerance	±25 PPM at +25°C Tolerances to ±10 PPM are available
Equivalent Series Resistance	7 to 16 MHz 80Maximum 16 to 120 MHz 40Maximum 120 to 200 MHz 100Maximum
Shunt Capacitance	7 pF Maximum
Drive Level Crystal	10 to 2,000 uW
Aging Standard	<5 ppm/1 st year
Packaging Typical	Bagged
P/N	VXD1-3B0-80M000
	D1 = UM-1 package 3 = 3 rd Overtone B = ±50 PPM -20°C to +70°C

VECTRON

0 = Series Resonant

[Generate your own part number!](#)

We welcome your custom requests and will issue a custom part number for items that are not listed.



Dimensions in mm.